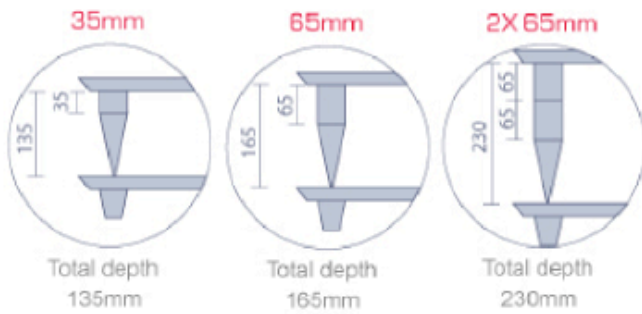


isobluehifi

products

60 Series Extensions

The depth between shelves can be increased by adding Extension pieces. Available in 2 sizes - 35mm & 65mm.



Measurements are in millimeters

- Image
- Facts
- Spec
- Exten's
- Sizes
- Colours

- 60 Series
- HF
- Special Branch

Rocks without rocking...



IsoblueHifi

News...

Products

Prices

Dealers

Contact

